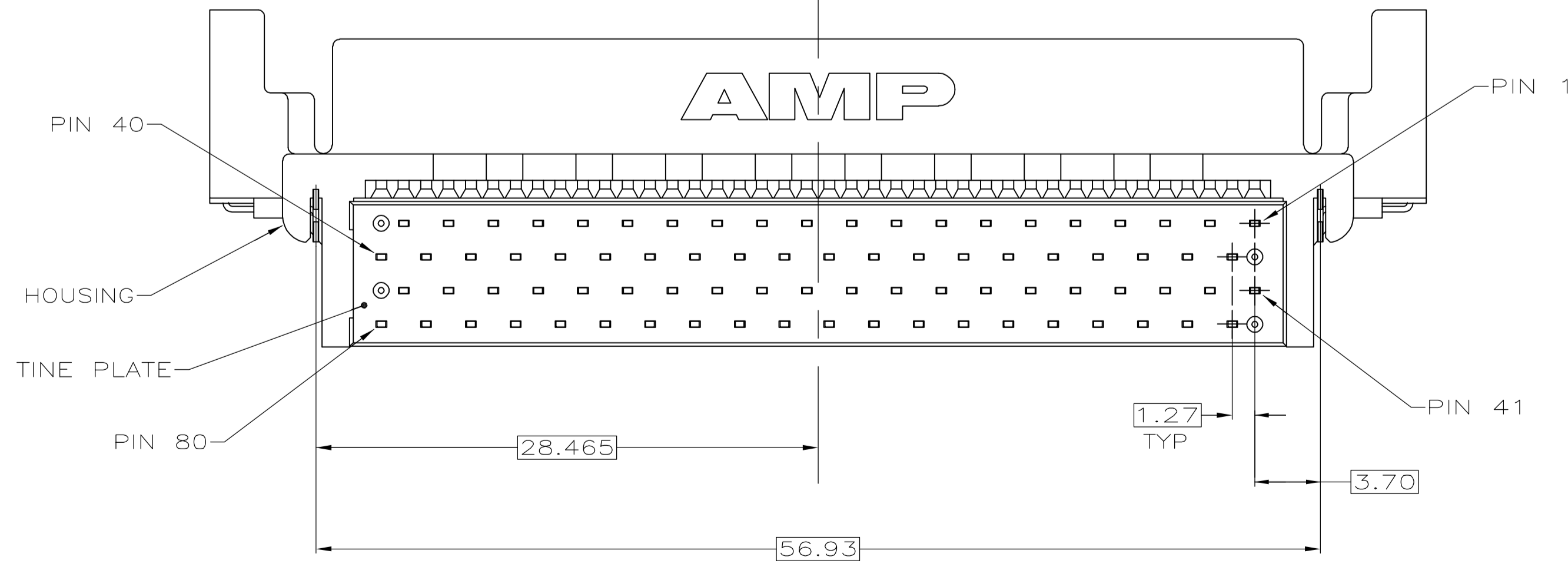
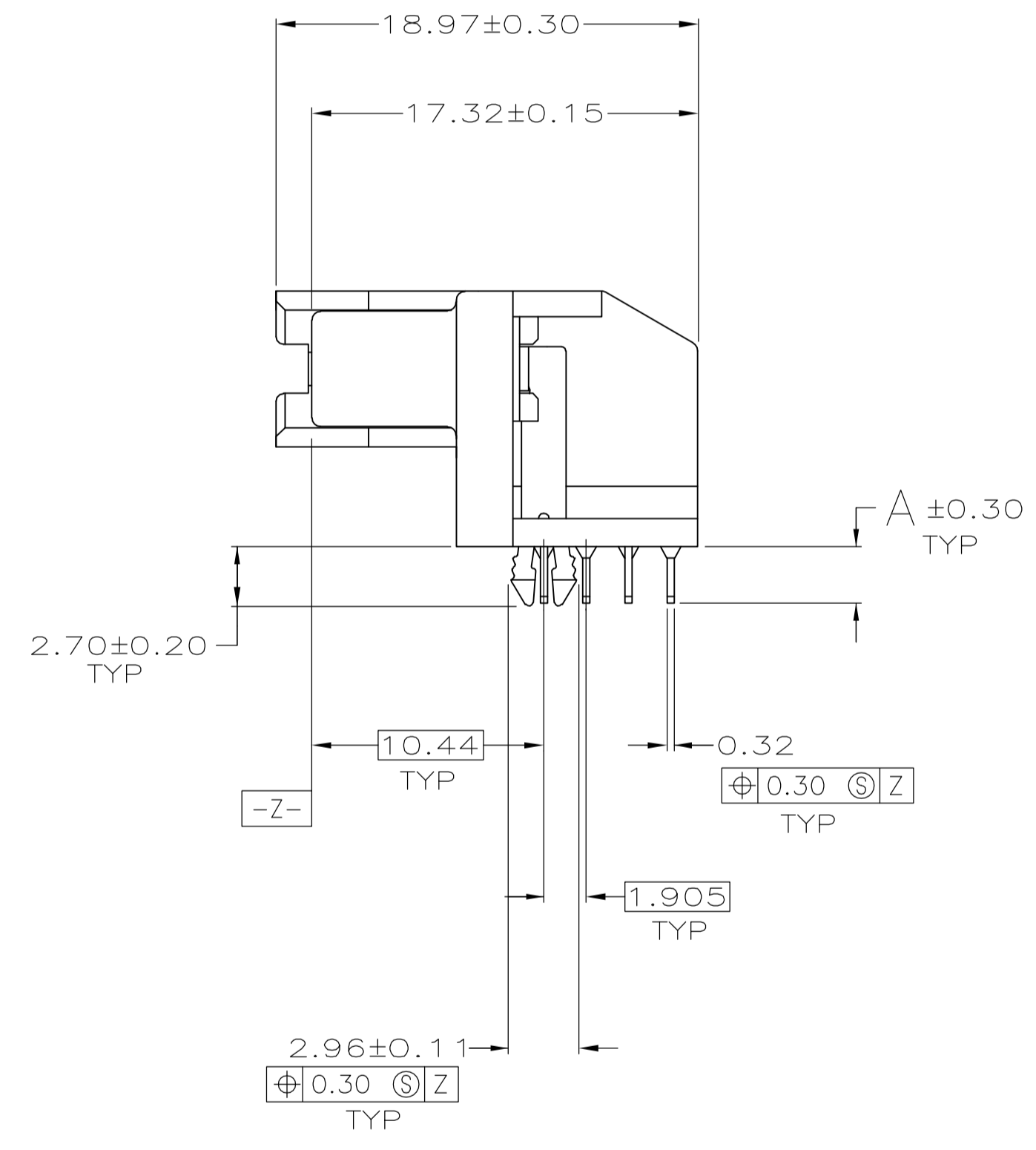
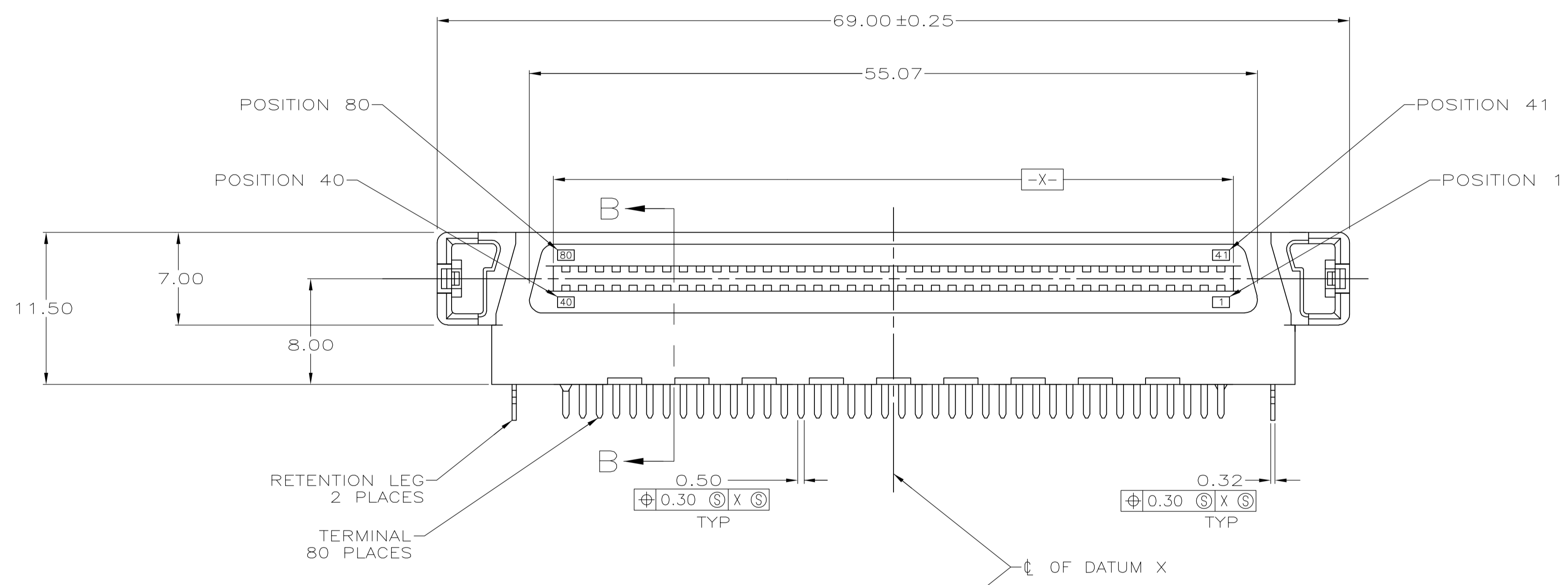
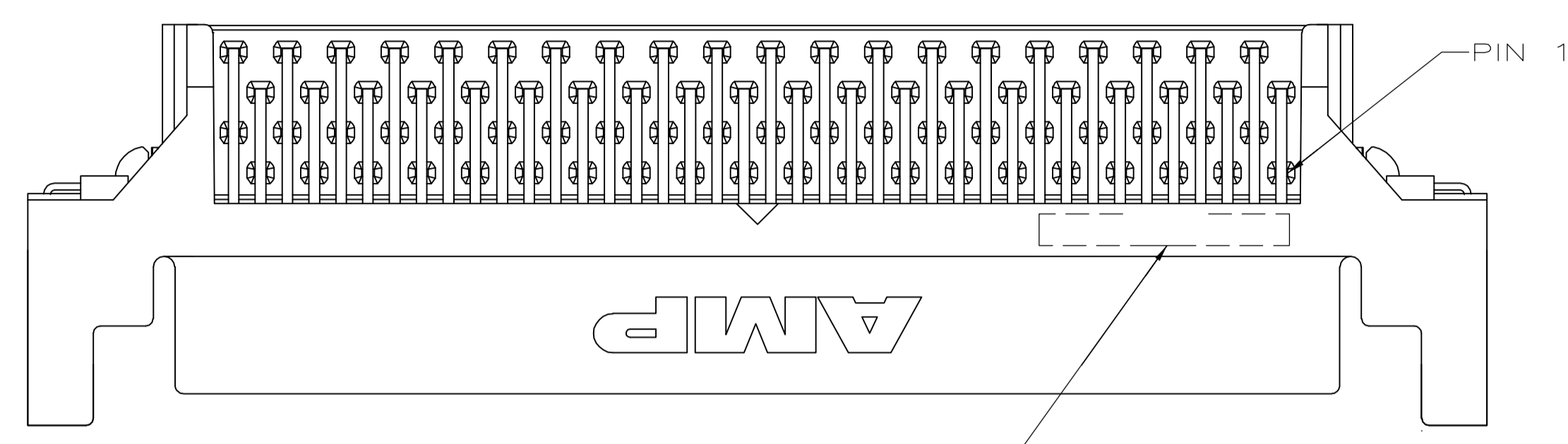


THIS DRAWING IS UNPUBLISHED. RELEASED FOR PUBLICATION. ALL RIGHTS RESERVED.
 © COPYRIGHT BY TYCO ELECTRONICS CORPORATION.

LOC		DIST		REVISIONS			
P	LTR	DESCRIPTION	DATE	DWN	APPD	REV	REV
M	REV PER EC	OS13-0631-04	12MAY2005	EB	EB		

- △ HOUSING AND TINE PLATE: LCP, UL 94V-0 RATED, BLACK.
TERMINALS: PHOSPHOR BRONZE.
RETENTION LEGS: BRASS.
- △ TERMINALS: 0.76µm MIN GOLD FOR A LENGTH 1.20 MIN STARTING 0.50 MAX FROM MATING END, 3.81µm MIN TIN-LEAD FOR A LENGTH OF 3.40 MIN FROM OPPOSITE END, BOTH OVER 1.27µm MIN NICKEL.
RETENTION LEGS: 3.81µm MIN TIN-LEAD OVER 1.27µm MIN NICKEL.
- △ CONNECTOR WILL ACCOMMODATE MATING PRINTED CIRCUIT BOARD OF 1.60±0.07.
- △ CONTACTS 1, 36 THRU 40, 41 THRU 43, 45, 46 AND 75 THRU 80 ARE POSITIONED TOWARD THE MATING FACE. (FIRST MATE)
- △ CONTACTS 2 THRU 35, 44, AND 47 THRU 74 ARE POSITIONED AWAY FROM THE MATING FACE. (SECOND MATE)
- △ TERMINALS: 0.76µm MIN GOLD FOR A LENGTH 1.20 MIN STARTING 0.50 MAX FROM MATING END, 3.81µm MIN TIN FOR A LENGTH OF 3.40 MIN FROM OPPOSITE END, BOTH OVER 1.27µm MIN NICKEL.
RETENTION LEGS: 3.81µm MIN TIN OVER 1.27µm MIN NICKEL.



YES	△6	3.05	80	787535-4
YES	△6	2.54	80	787535-3
NO	△2	3.05	80	787535-2
NO	△2	2.54	80	787535-1
LEAD FREE	FINISH	A	NO OF POSN	PART NUMBER

THIS DRAWING IS A CONTROLLED DOCUMENT.

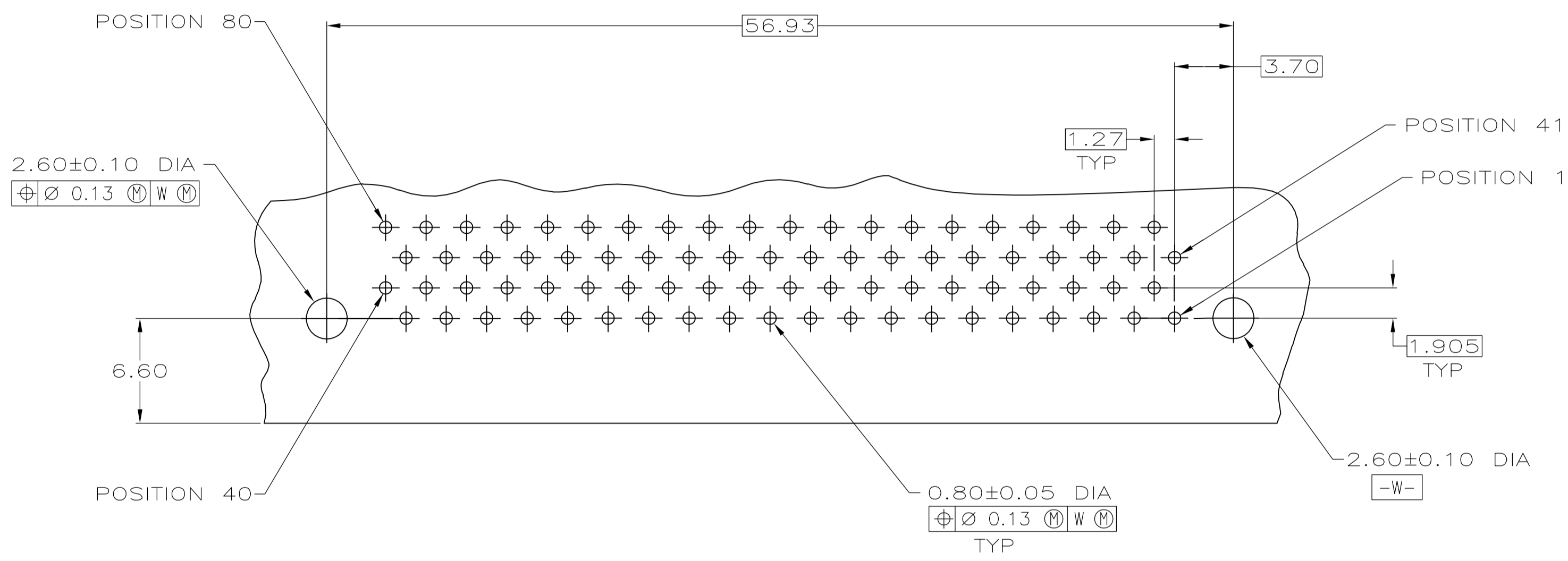
DIMENSIONS:	TOLERANCES UNLESS OTHERWISE SPECIFIED:	DWN	B. MCMASTER	29MAR04		Tyco Electronics Corporation
mm	0 PLC ± - 1 PLC ± - 2 PLC ± 0.10 3 PLC ± - 4 PLC ± - ANGLES ± -	CHK	S. SHUEY	29MAR04		Harrisburg, Pa 17105-3608
		APVD	M. WALMSLEY	29MAR04	NAME	RECEPTACLE ASSEMBLY, RIGHT ANGLE, BOARD-TO-BOARD, .050, SERIES I, CHAMP BLINDMATE
MATERIAL	SEE TABLE	PRODUCT SPEC	108-1548-2		SIZE	A1
		APPLICATION SPEC	114-6061		CAGE CODE	00779
		WEIGHT			DRAWING NO	787535
		CUSTOMER DRAWING			SCALE	4:1

RESTRICTED TO

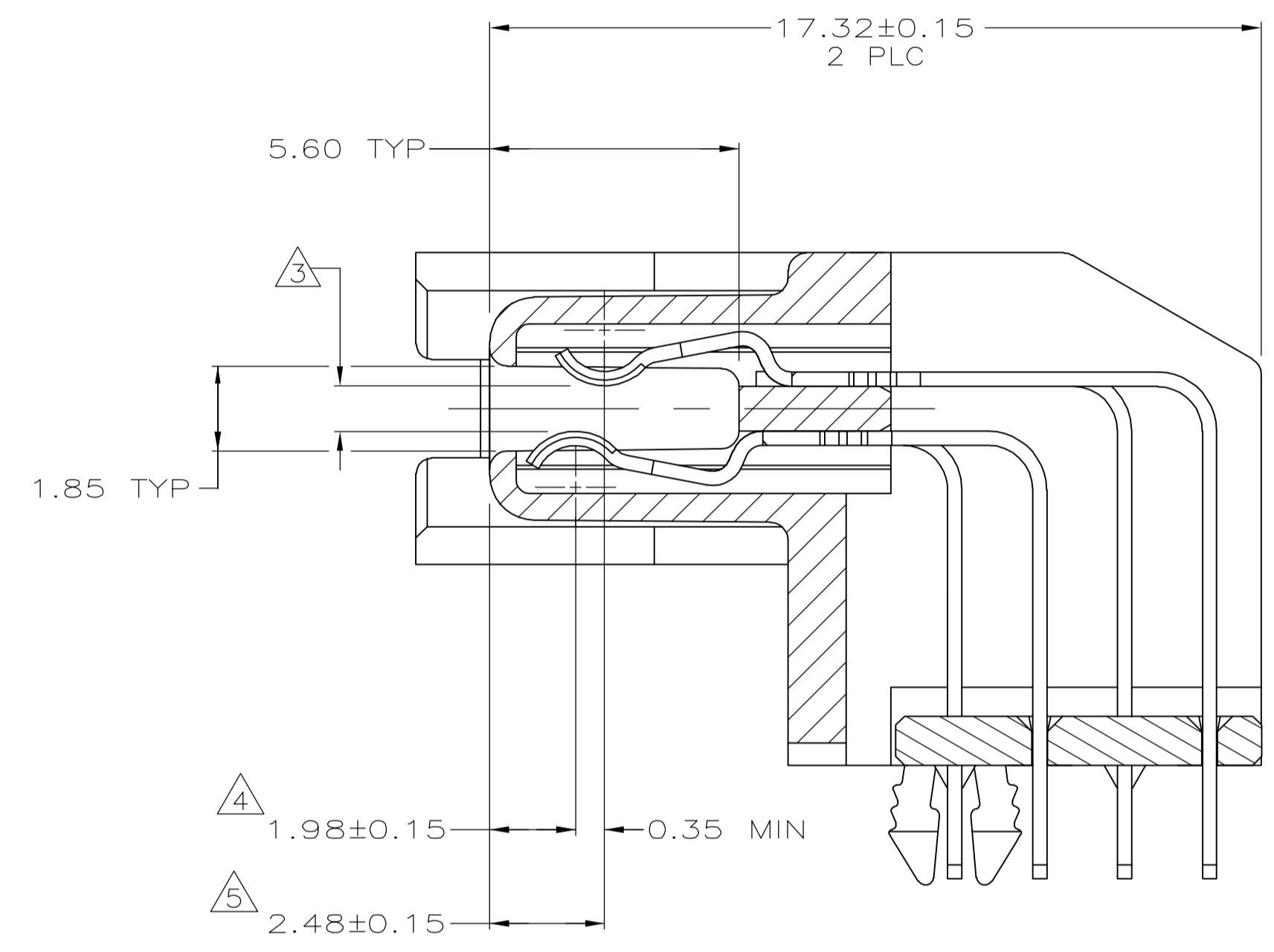
SHEET 1 OF 2 REV M

THIS DRAWING IS UNPUBLISHED. RELEASED FOR PUBLICATION
 © COPYRIGHT BY TYCO ELECTRONICS CORPORATION. ALL RIGHTS RESERVED.

LOC		DIST		REVISIONS			
P	LTR	DESCRIPTION	DATE	DWN	APVD		
GP	00	SEE SHEET 1	-	-	-		



RECOMMENDED PC BOARD
 MOUNTING DIMENSIONS
 COMPONENT SIDE



SECTION B-B
 SCALE 8:1

THIS DRAWING IS A CONTROLLED DOCUMENT.		DWN: B MCMMASTER 29MAR04		Tyco Electronics Corporation Harrisburg, Pa 17105-3608														
		CHK: S SHUEY 29MAR04																
		APVD: M WALMSLEY 29MAR04	NAME: RECEPTACLE ASSEMBLY, RIGHT ANGLE, BOARD-TO-BOARD, .050, SERIES I, CHAMP BLINDMATE															
DIMENSIONS: mm		PRODUCT SPEC: 108-1548-2		SIZE: A1														
<table border="1"> <thead> <tr> <th>TOLERANCES UNLESS OTHERWISE SPECIFIED:</th> <th>0 PLC</th> <th>1 PLC</th> <th>2 PLC</th> <th>3 PLC</th> <th>4 PLC</th> <th>ANGLES</th> </tr> </thead> <tbody> <tr> <td></td> <td>± .10</td> <td>± .10</td> <td>± .10</td> <td>± .10</td> <td>± .10</td> <td>± .10</td> </tr> </tbody> </table>		TOLERANCES UNLESS OTHERWISE SPECIFIED:	0 PLC	1 PLC	2 PLC	3 PLC	4 PLC	ANGLES		± .10	± .10	± .10	± .10	± .10	± .10	APPLICATION SPEC: 114-6061		WEIGHT: -
TOLERANCES UNLESS OTHERWISE SPECIFIED:	0 PLC	1 PLC	2 PLC	3 PLC	4 PLC	ANGLES												
	± .10	± .10	± .10	± .10	± .10	± .10												
MATERIAL: -		FINISH: -		SCALE: 4:1														
		CUSTOMER DRAWING		SHEET 2 OF 2														